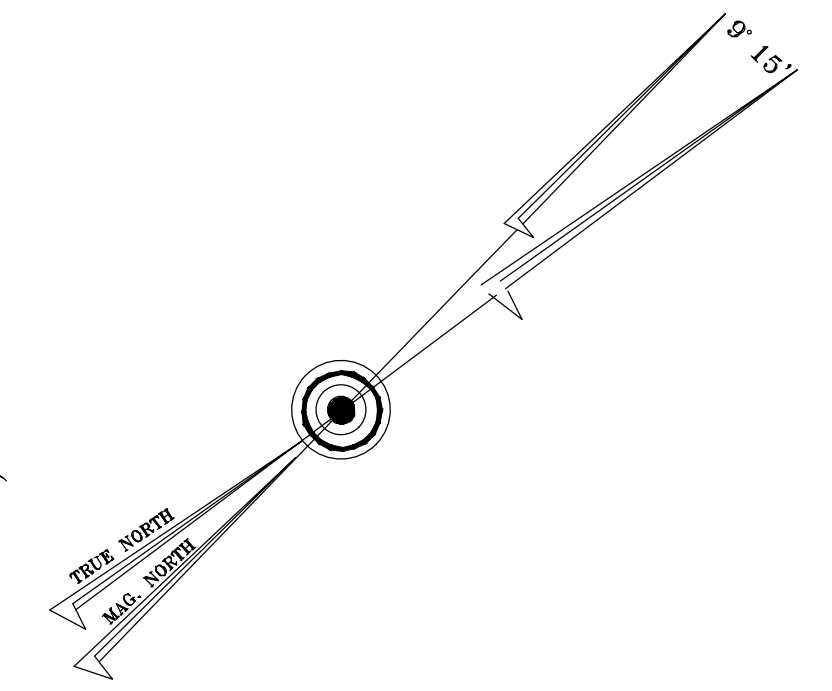


ADJOINS PLATE 23.05  
 ADJOINS PLATE 23.06  
 ADJOINS PLATE 25  
 ADJOINS PLATE 23.01  
 ADJOINS PLATE 23

KRESSON ROAD  
 ( A.K.A. HADDONFIELD MILFORD ROAD )  
 ( COUNTY ROUTE 671 )

HADDONFIELD

PARTRIDGE DR.



APPROVAL STAMP

NOTES:  
 TAX MAPS ARE NOT FOR TITLE PURPOSES!!  
 THIS MAP HAS BEEN DRAWN USING COMPUTER AIDED DRAFTING/DESIGN (CAD/D) AND COORDINATE GEOMETRY (COGO).

**TAX MAP**  
 TOWNSHIP OF VOORHEES  
 CAMDEN COUNTY, NEW JERSEY  
 SCALE: 1"=100' DATE: DEC; 1998  
 CRAIG F. REMINGTON, L.S.  
 REMINGTON & VERNICK ENGINEERS  
 232 KINGS HIGHWAY EAST  
 HADDONFIELD, NEW JERSEY 08033  
 TO SHOW CONDITIONS AS OF 10-01-2017