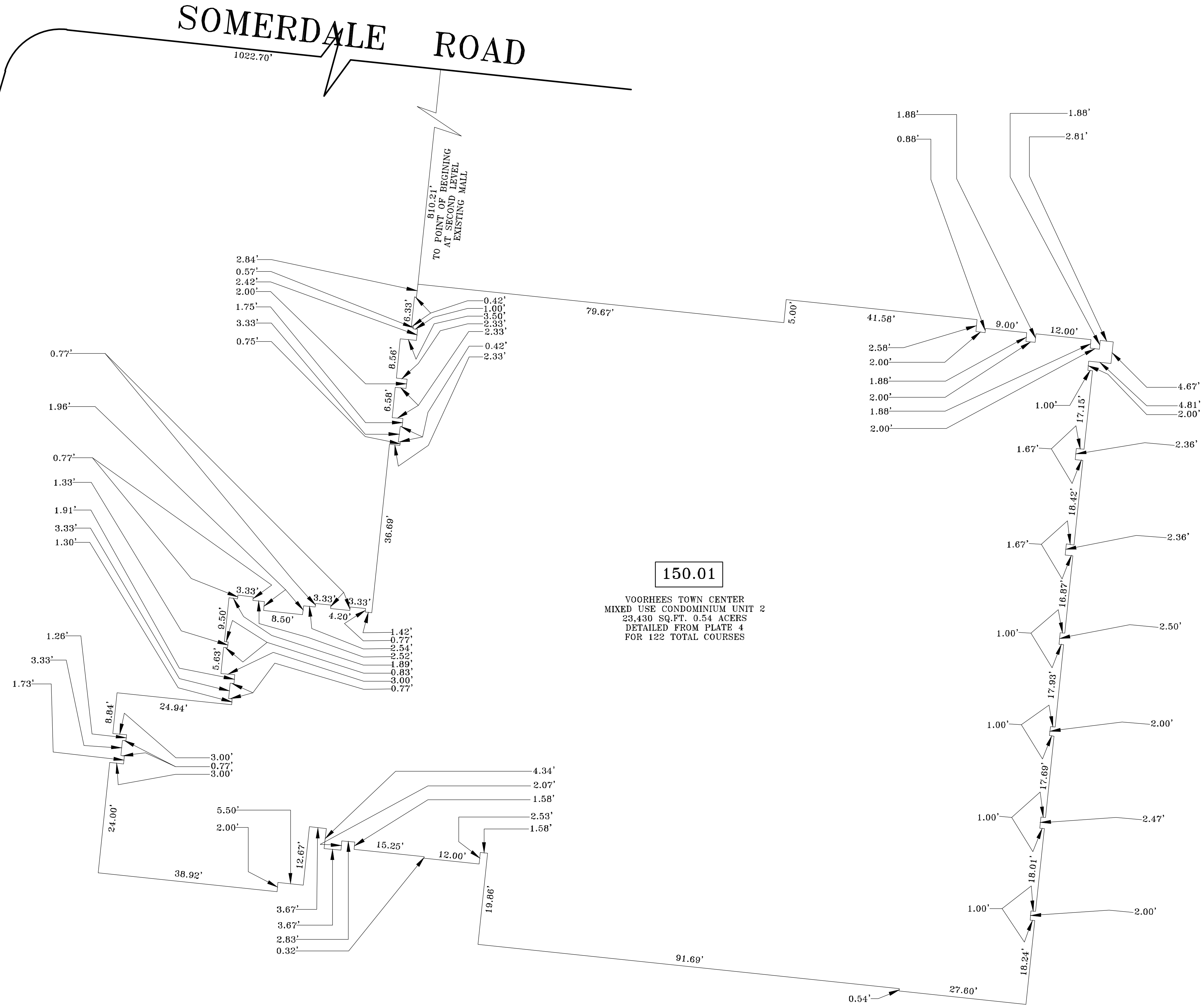
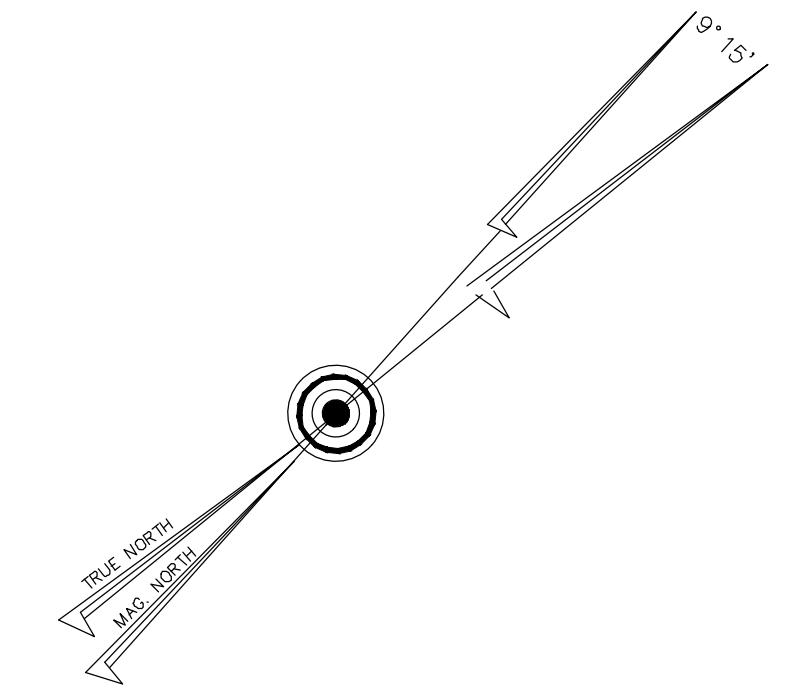


BURNT MILL ROAD
SOMERDALE ROAD



150.01

VOORHEES TOWN CENTER
MIXED USE CONDOMINIUM UNIT 2
23,430 SQ.FT. 0.54 ACERS
DETAILED FROM PLATE 4
FOR 122 TOTAL COURSES



NOTES:
 TAX MAPS ARE NOT FOR TITLE PURPOSES!!
 THIS MAP HAS BEEN DRAWN USING COMPUTER AIDED
 DRAFTING/DESIGN (CAD/D) AND COORDINATE GEOMETRY
 (COGO).

TAX MAP
TOWNSHIP OF VOORHEES
 CAMDEN COUNTY, NEW JERSEY
 SCALE: 1" = 25' DATE: DEC, 2011
PATRICK S. VITARELLI, P.L.S.
 ENVIRONMENTAL RESOLUTIONS, INC.
 525 FELLOWSHIP ROAD SUITE 300
 MT. LAUREL, NEW JERSEY 08054
 TO SHOW CONDITIONS AS OF 10-01-17